



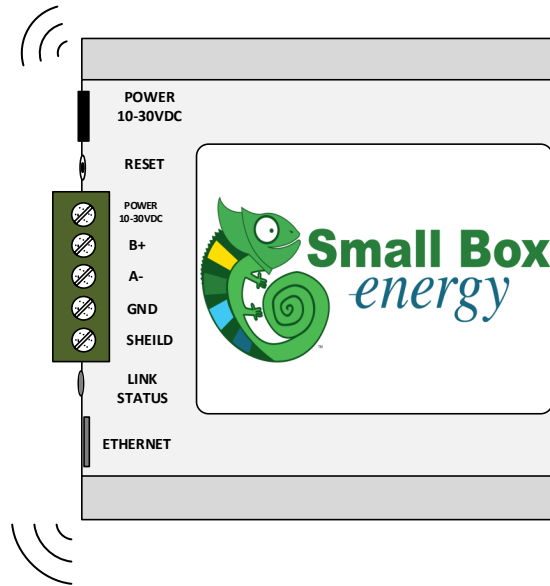
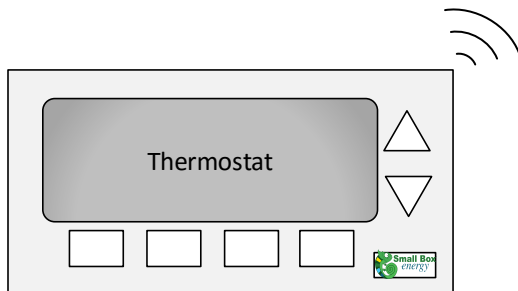
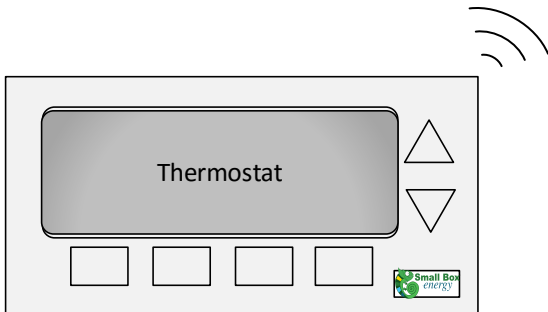
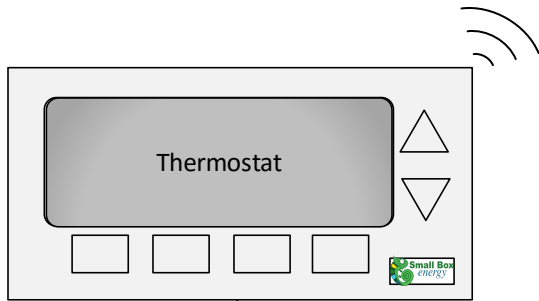
2017

# Small Box Energy



**Delivering the Ultimate Energy Management Solution for Restaurants and Convenience Stores**

# ZigBee Communication



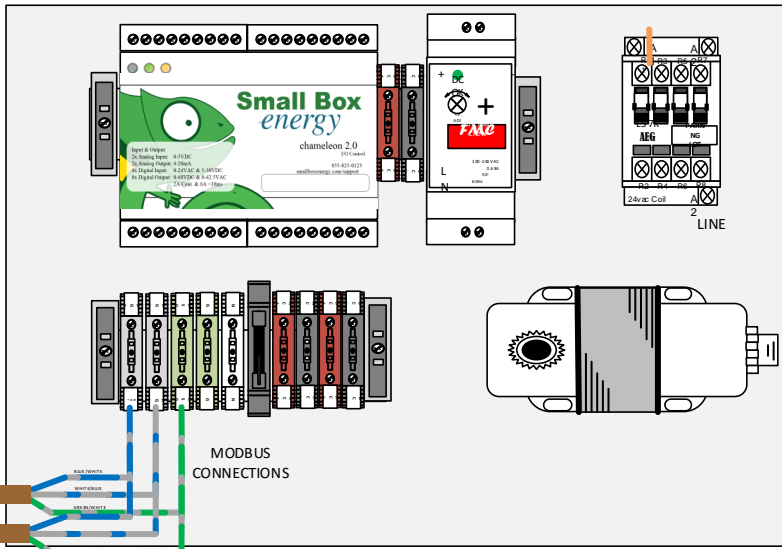
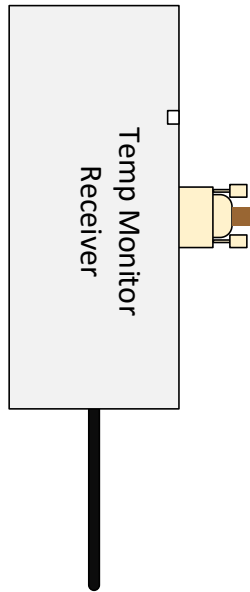
REV	DATE	REVISION DESCRIPTION	BY:

## ZigBee Wireless

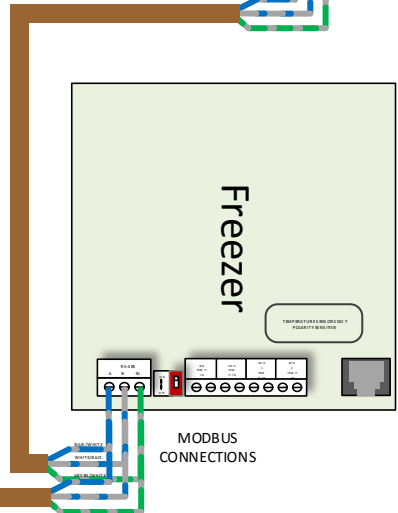
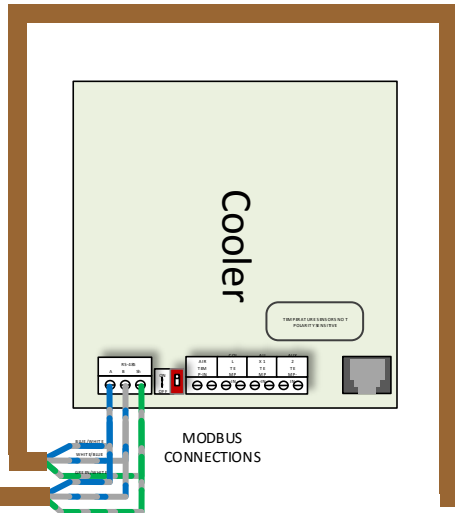
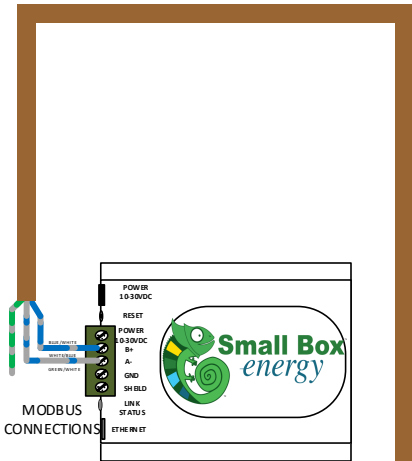
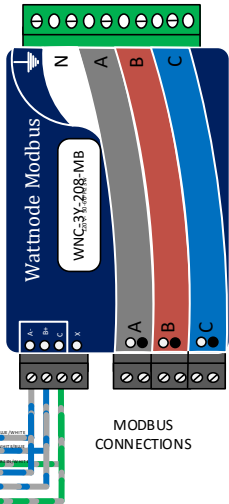
DATE	07/24/2017
SCALE	1:2
Drawn BY	JIM PARKER
DESIGNED BY	JIM PARKER
JOB NUMBER	

ZigBee-1  
DRAWING NUMBER

A  
REV.



# Daisy Chain Wiring Configuration



REV	DATE	REVISION DESCRIPTION	BY:

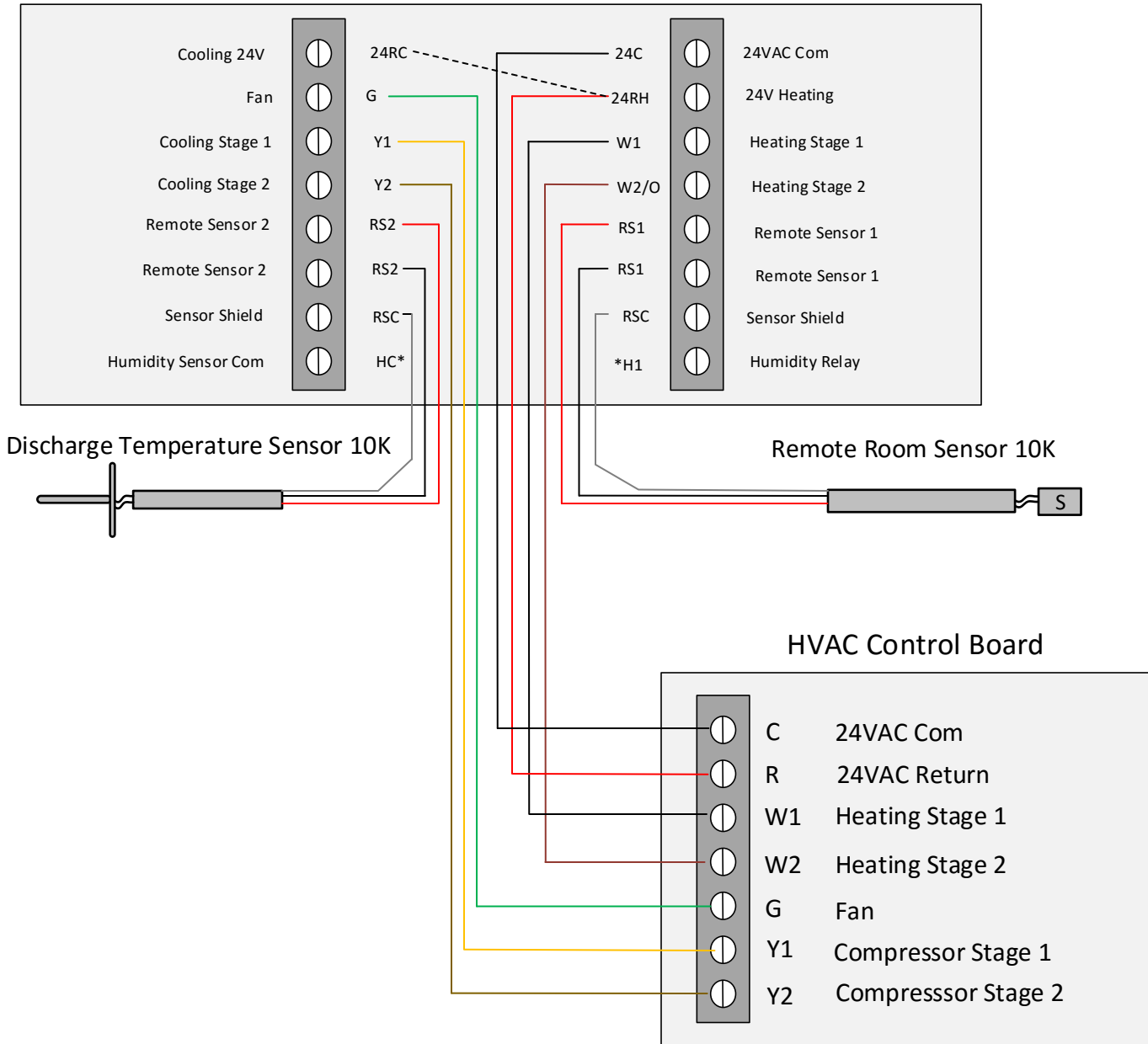
## Modbus Connections

DATE	07/27/2017
SCALE	1:2
Drawn BY	JIM PARKER
DESIGNED BY	JIM PARKER
JOB NUMBER	

MBS-1  
DRAWING NUMBER

A  
REV.

# Thermostat Connections



REV	DATE	REVISION DESCRIPTION	BY:

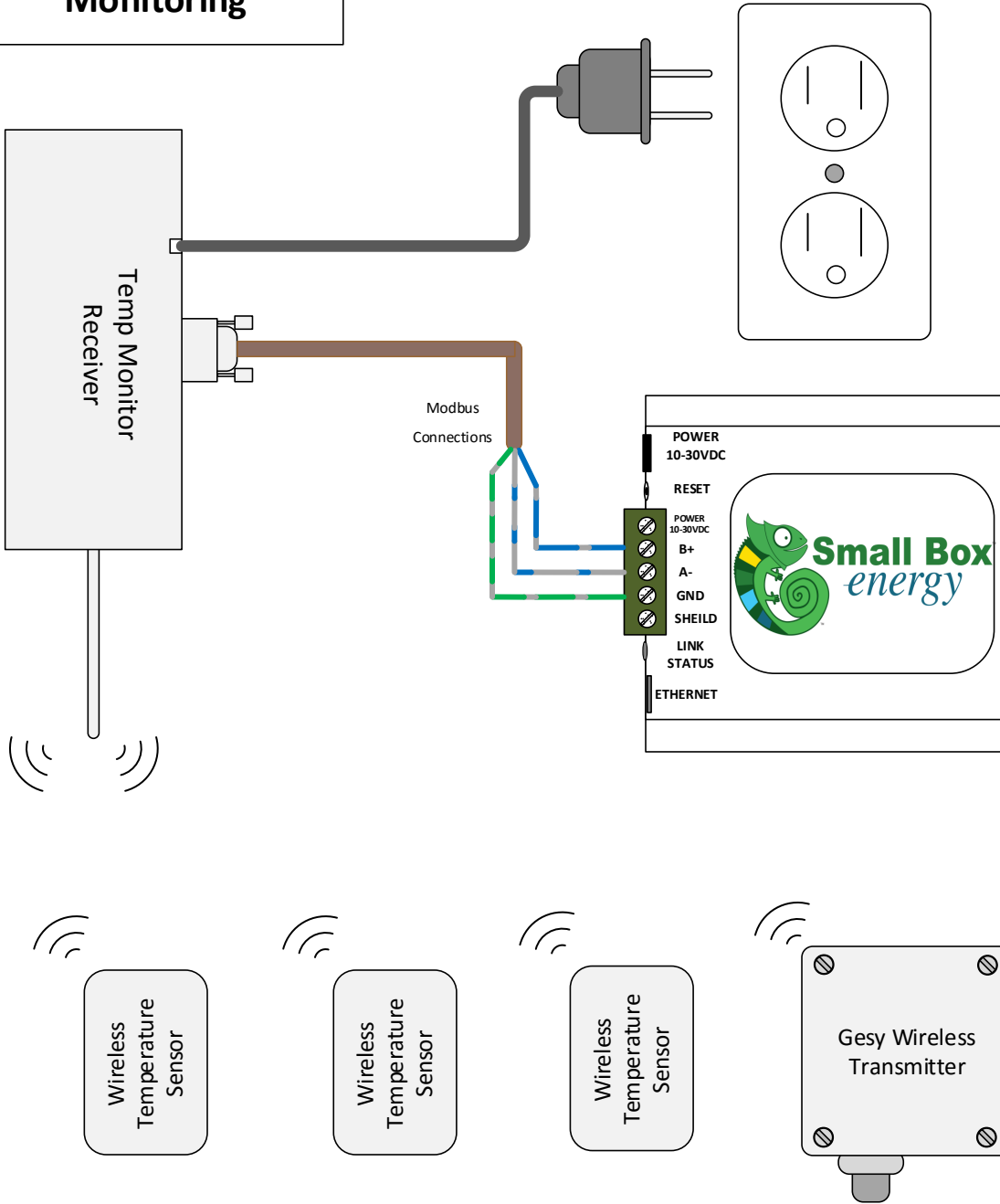
## Thermostat

DATE	07/24/17
SCALE	1:2
Drawn BY	JIM PARKER
DESIGNED BY	JIM PARKER
JOB NUMBER	

T-Stat-1 A

DRAWING NUMBER REV.

# Temperature Monitoring



REV	DATE	REVISION DESCRIPTION	BY:

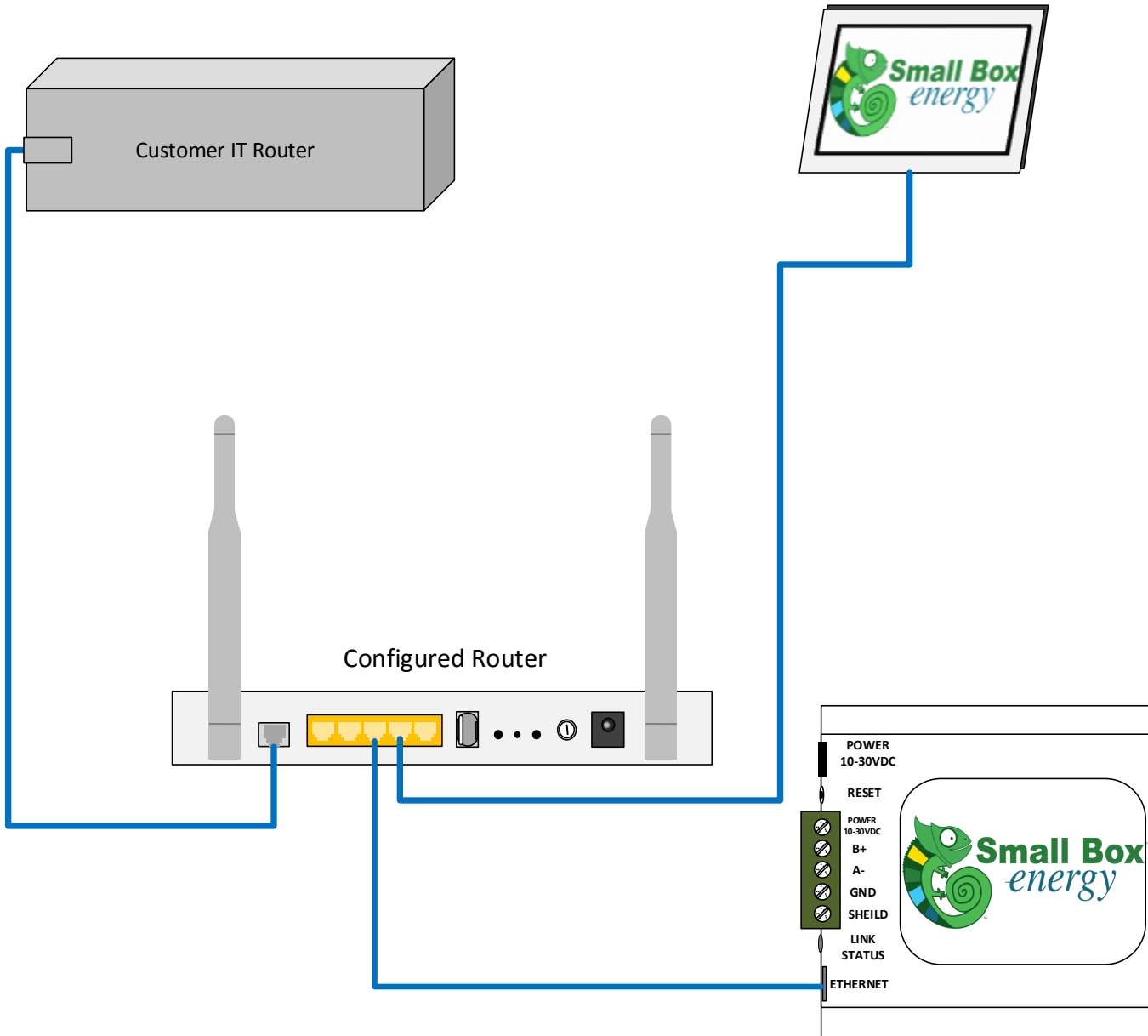
## Temperature Monitoring

DATE	07/25/17
SCALE	1:2
Drawn BY	JIM PARKER
DESIGNED BY	JIM PARKER
JOB NUMBER	

FoodM-1  
DRAWING NUMBER

A  
REV.

# Ethernet Connections



REV	DATE	REVISION DESCRIPTION	BY:

## Ethernet Connections

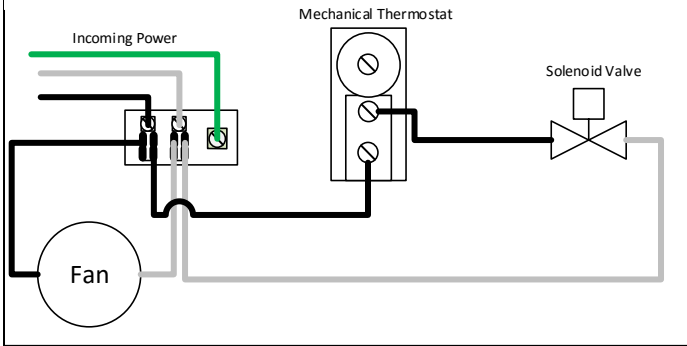
DATE	07/25/17
SCALE	1:2
Drawn BY	JIM PARKER
DESIGNED BY	JIM PARKER
JOB NUMBER	

Eth-Con-1  
DRAWING NUMBER

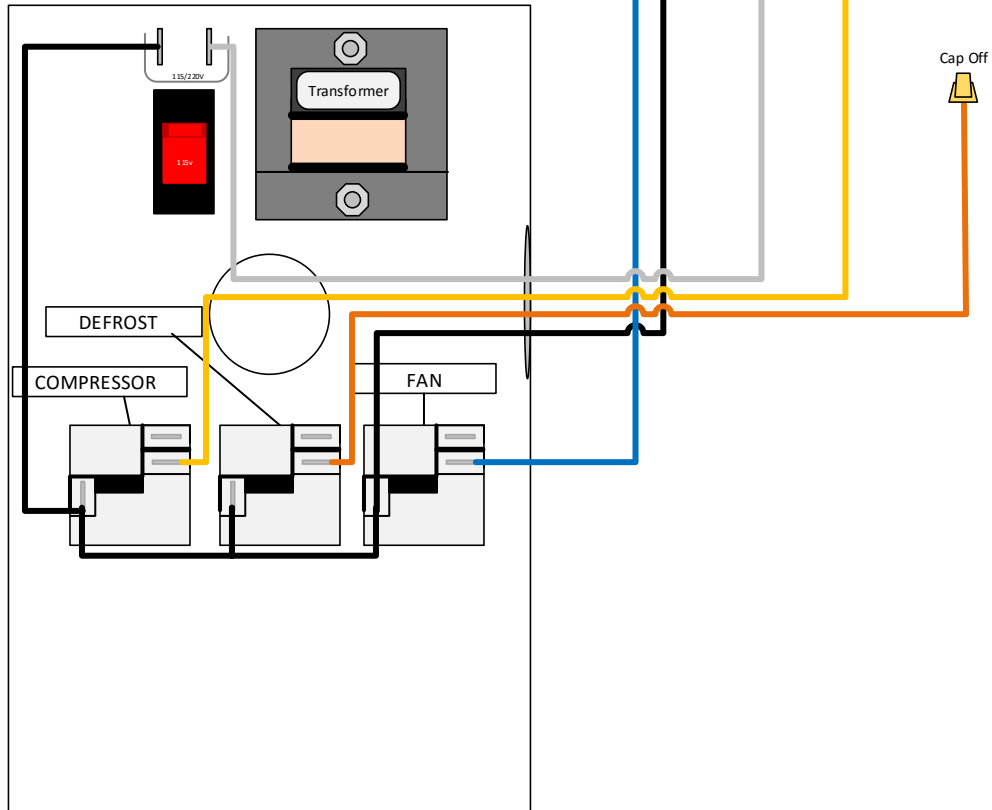
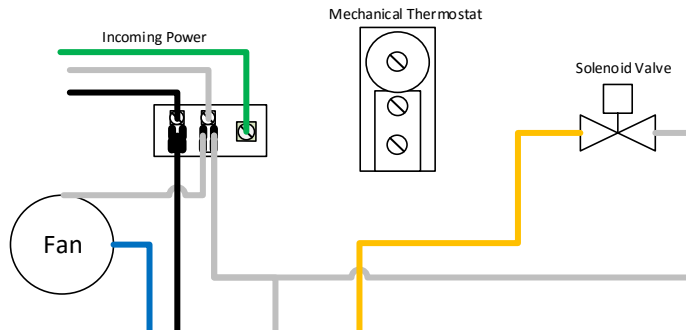
A  
REV.

# Walk-in Cooler Electrical connections

Typical Cooler Wiring Diagram



Typical Cooler Wiring Diagram



REV	DATE	REVISION DESCRIPTION	BY:

## Walk-in Cooler Electrical

DATE	07/25/17
SCALE	1:2
Drawn BY	JIM PARKER
DESIGNED BY	JIM PARKER
JOB NUMBER	

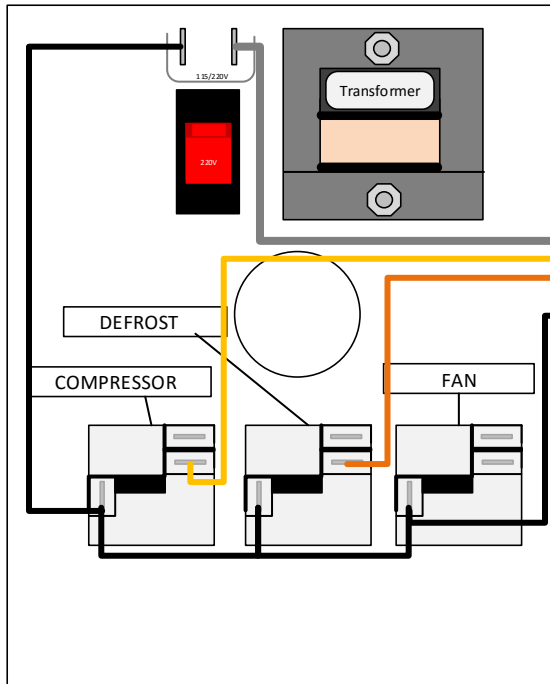
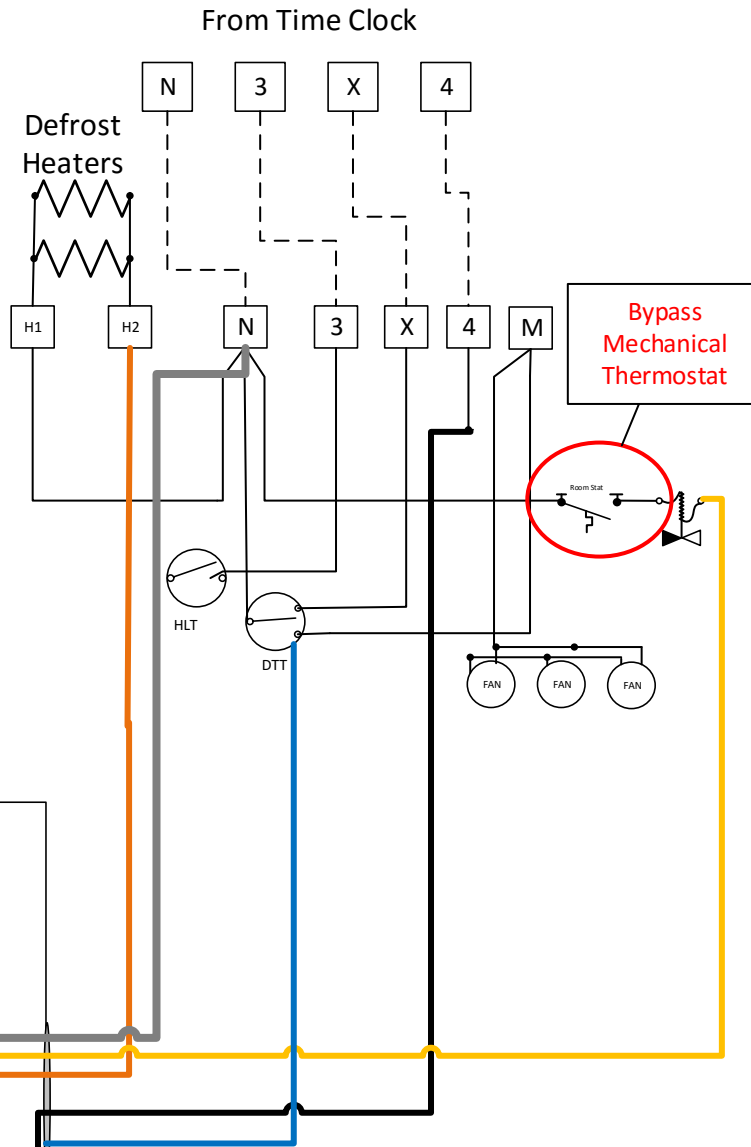
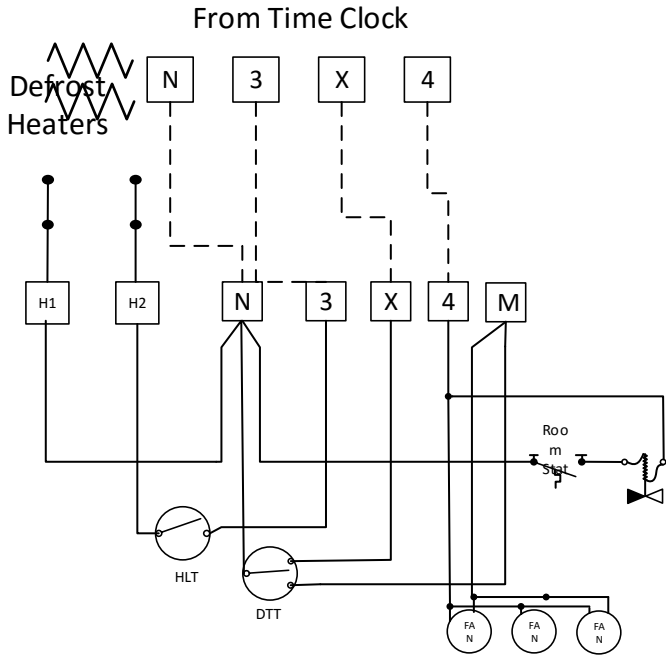
WCE-1

DRAWING NUMBER

A

REV.

# Walk-in Freezer Electrical



Black = F1 power (4)  
 White = F2 power (N)  
 Blue = Fan switch leg  
 Yellow = Solenoid Switch leg  
 Orange = Defrost Switch leg (Opposite of "N")

By-pass mechanical thermostat  
 Remove defrost pins from time clock



REV	DATE	REVISION DESCRIPTION	BY:

## Walk-in Freezer Electrical

DATE	07/24/2017
SCALE	1:2
Drawn BY	JIM PARKER
DESIGNED BY	JIM PARKER
JOB NUMBER	

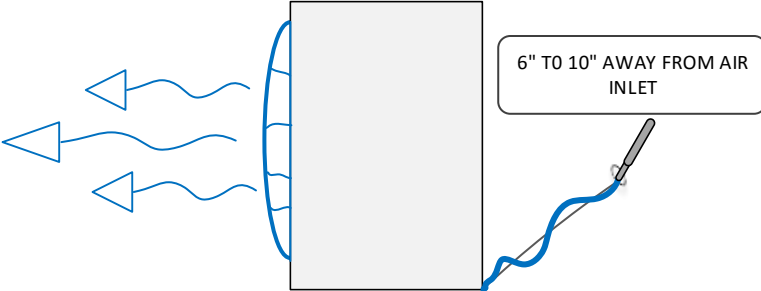
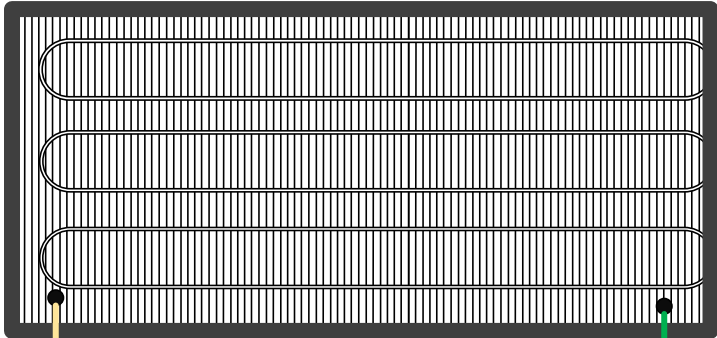
WFE-1  
DRAWING NUMBER

A  
REV.



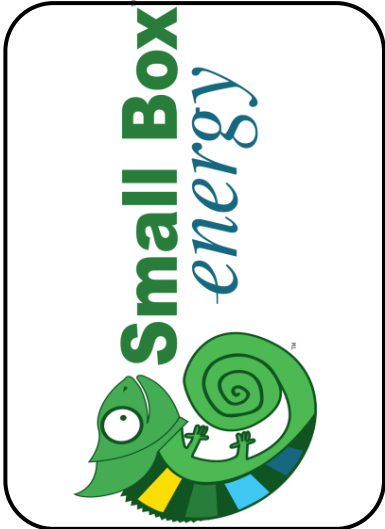
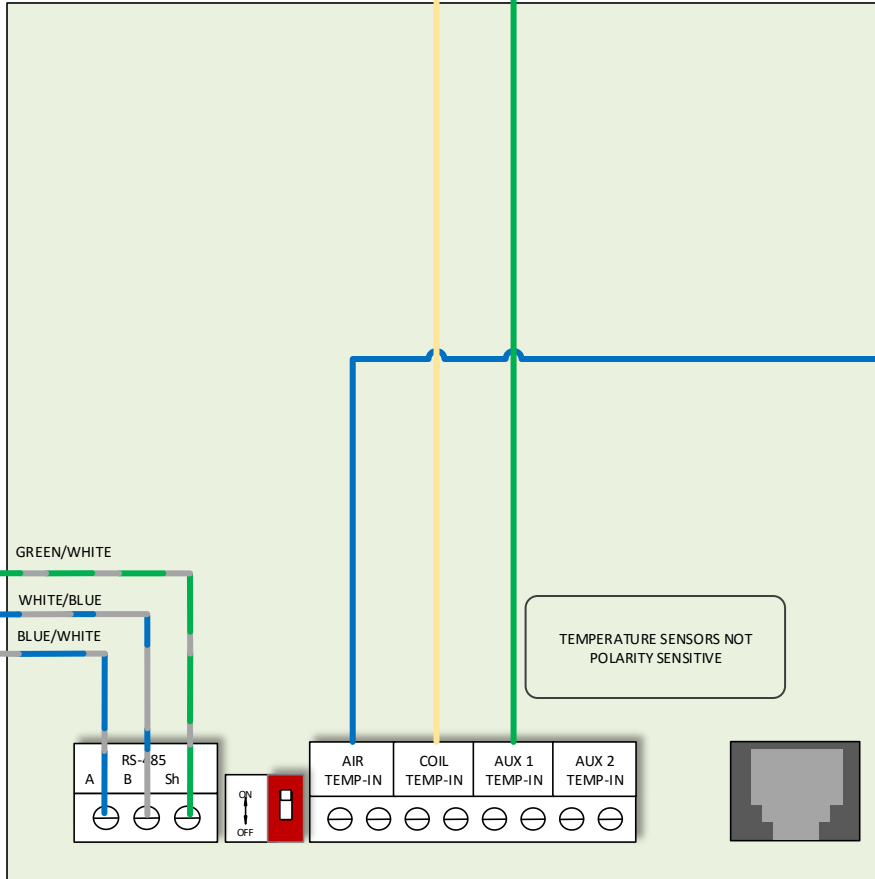
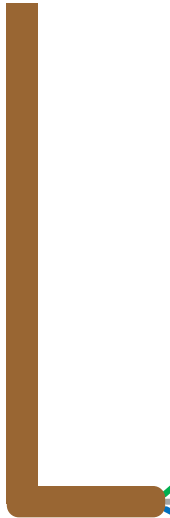
# Refrigeration Connections

MOUNTS SENSORS BEHIND FANS IN FRONT OF COILS  
 FOR WALK-IN FREEZERS MOVE SENSORS TO TOP CORNERS AWAY FROM HEAT STRIPS



2X2 IN FROM SIDES FOR COOLERS

TO MODBUS CONNECTIONS



REV	DATE	REVISION DESCRIPTION	BY:

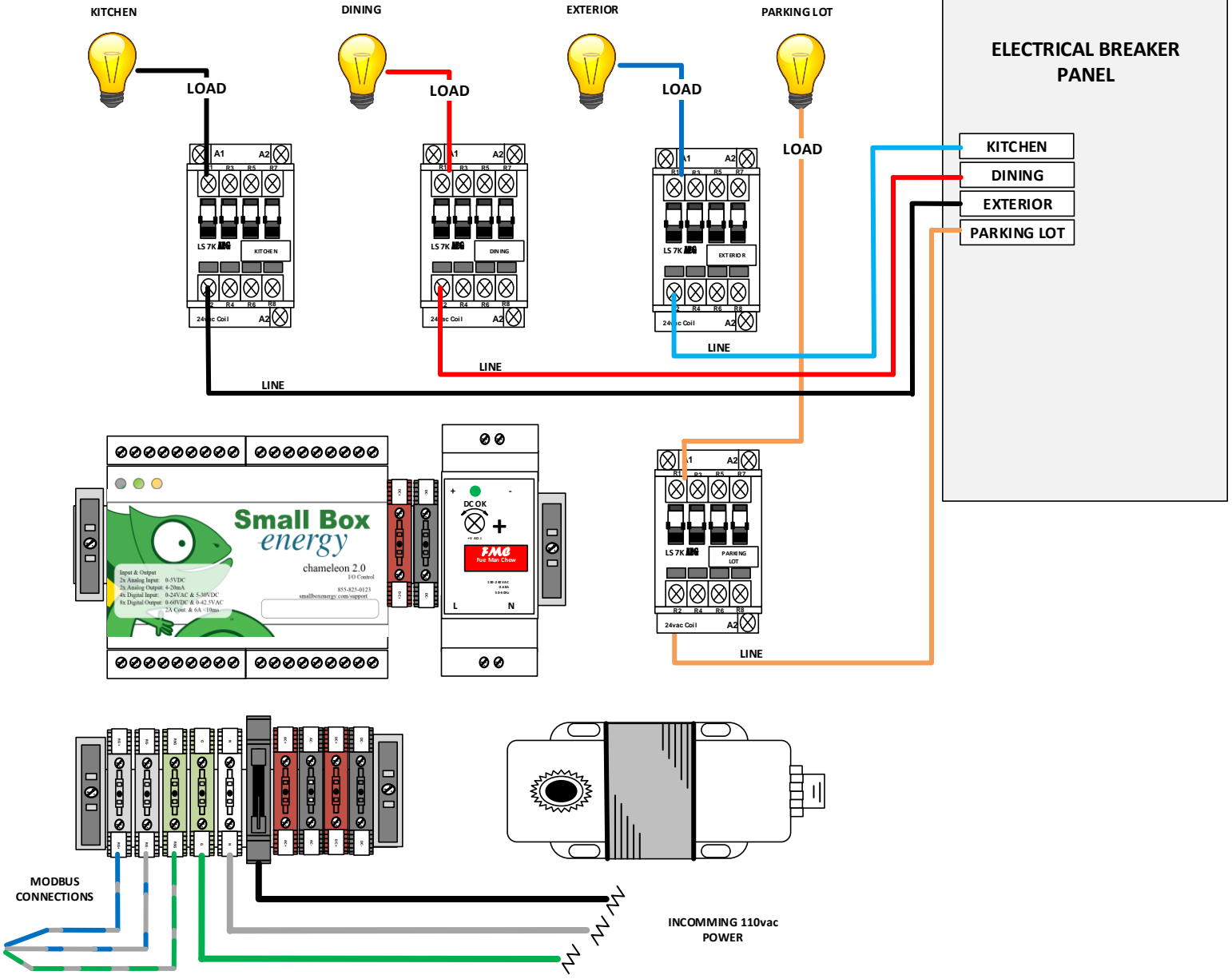
## Refrigeration Connections

DATE	07/25/17
SCALE	1:2
Drawn BY	JIM PARKER
DESIGNED BY	JIM PARKER
JOB NUMBER	

REF-C-1  
 DRAWING NUMBER

A  
 REV.

# LIGHTING PANEL CONECTIONS



REV	DATE	REVISION DESCRIPTION	BY:

## LIGHTING PANEL

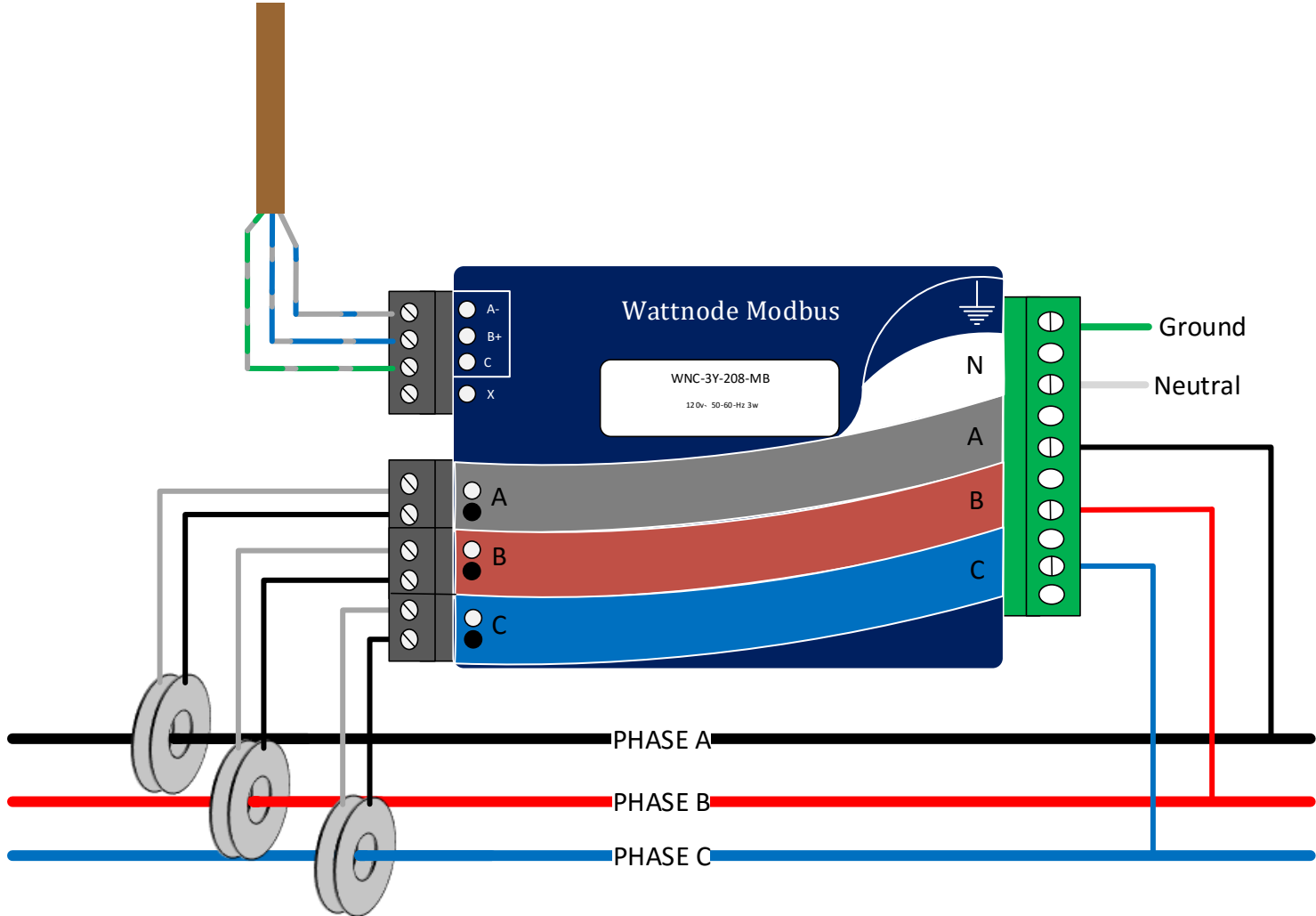
DATE	07/27/2017
SCALE	1:2
Drawn BY	JIM PARKER
DESIGNED BY	JIM PARKER
JOB NUMBER	

LCP-1  
DRAWING NUMBER

A  
REV

POWER METER

Modbus  
Communication



L  
I  
N  
E



REV	DATE	REVISION DESCRIPTION	BY:

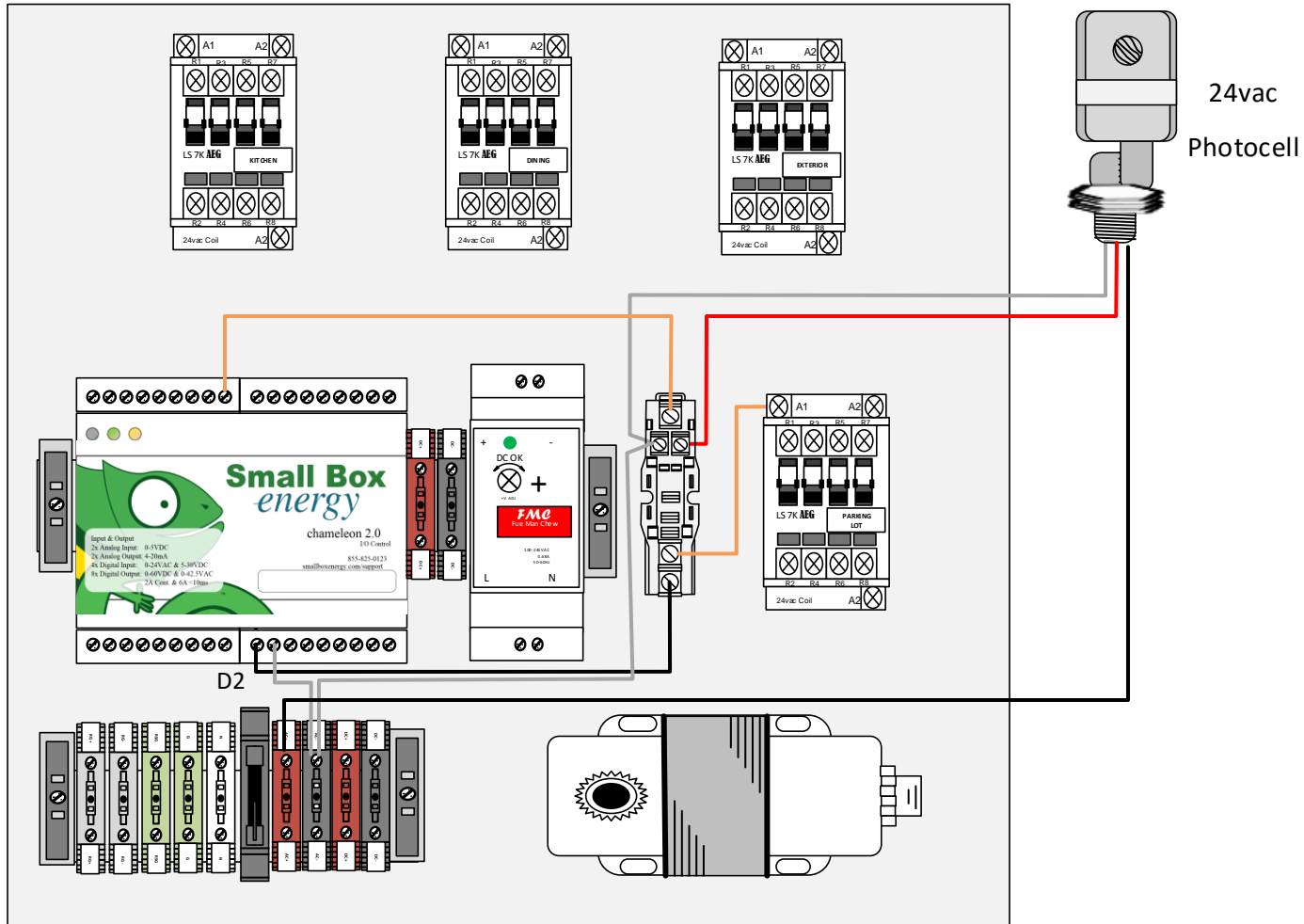
Power Meter

DATE	07/27/2017
SCALE	1:2
Drawn BY	JIM PARKER
DESIGNED BY	JIM PARKER
JOB NUMBER	

PM-1  
DRAWING NUMBER

A  
REV

# PHOTOCELL WIRING



REV	DATE	REVISION DESCRIPTION	BY:

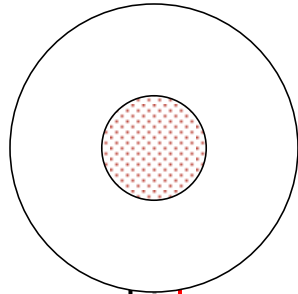
## Photocell Wiring

DATE	07/27/2017
SCALE	1:2
Drawn BY	JIM PARKER
DESIGNED BY	JIM PARKER
JOB NUMBER	

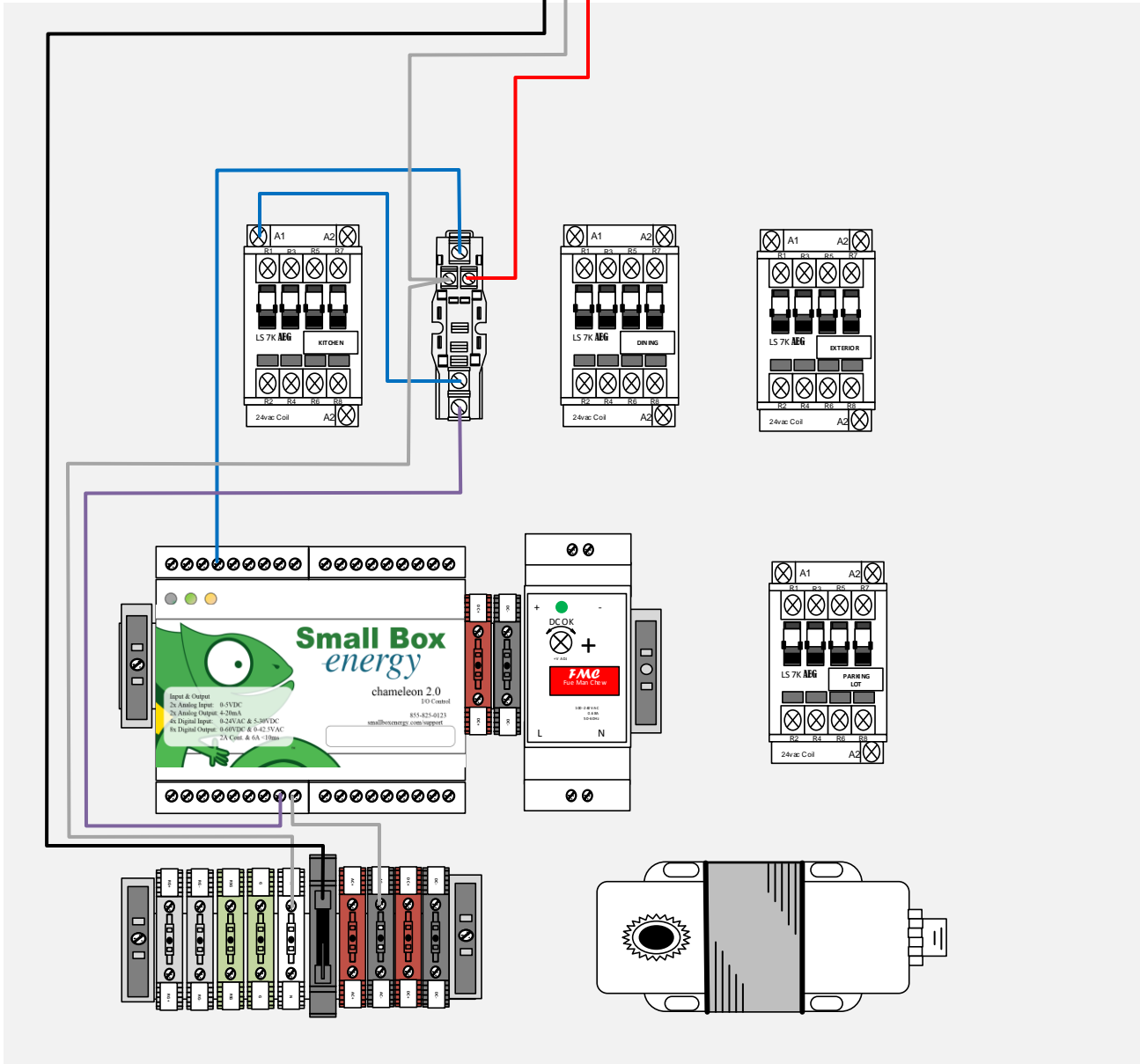
Photo-1  
DRAWING NUMBER

A  
REV.

Occupancy Sensor



110vac Occupancy Sensor



REV	DATE	REVISION DESCRIPTION	BY:

### Occupancy Sensor Wiring

DATE	07/27/2017
SCALE	1:2
Drawn BY	JIM PARKER
DESIGNED BY	JIM PARKER
JOB NUMBER	

OCW-1  
DRAWING NUMBER

A  
REV.